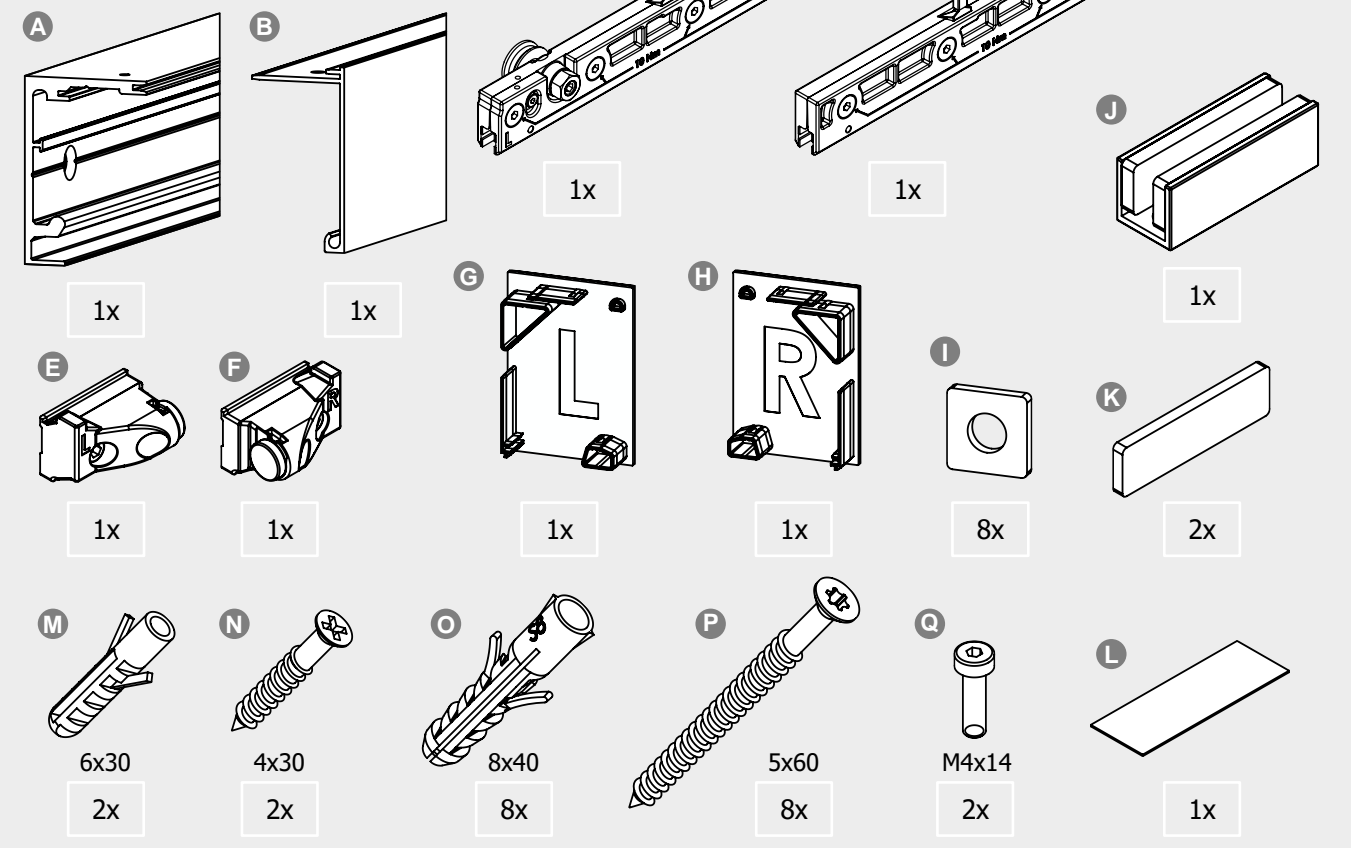


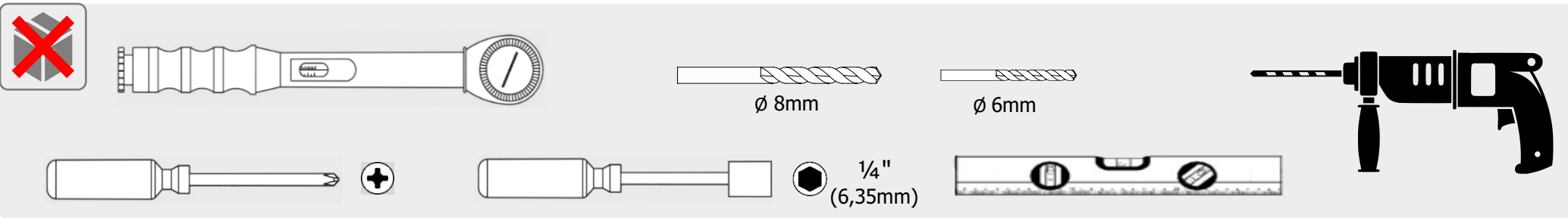
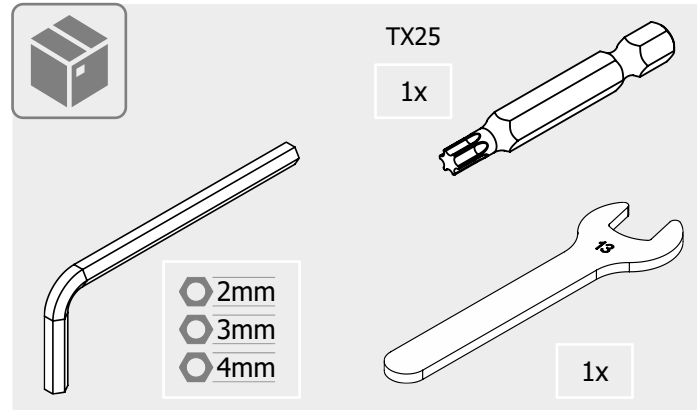
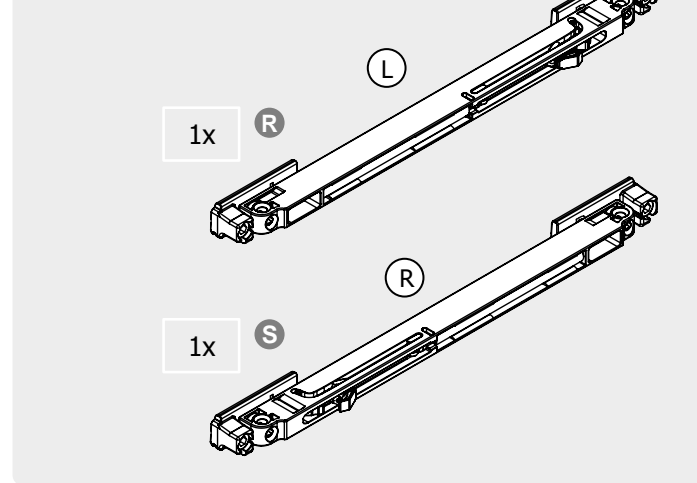
# SCHIEBETÜRSYSTEM X80 GLAS 1-FLG. COMFORT / sliding door system X80 glass 1-leaf comfort



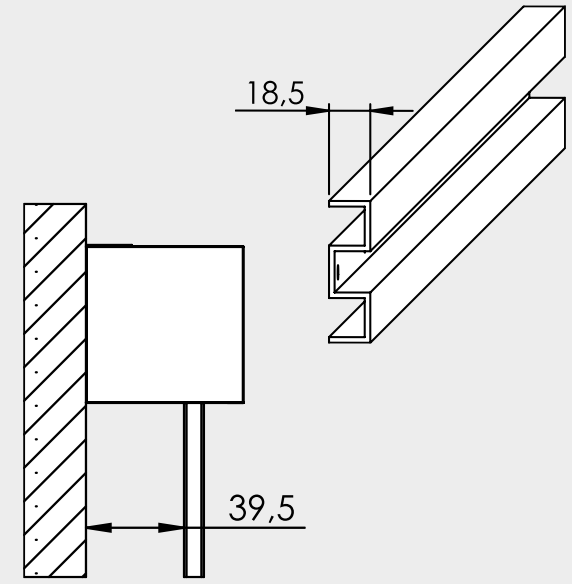
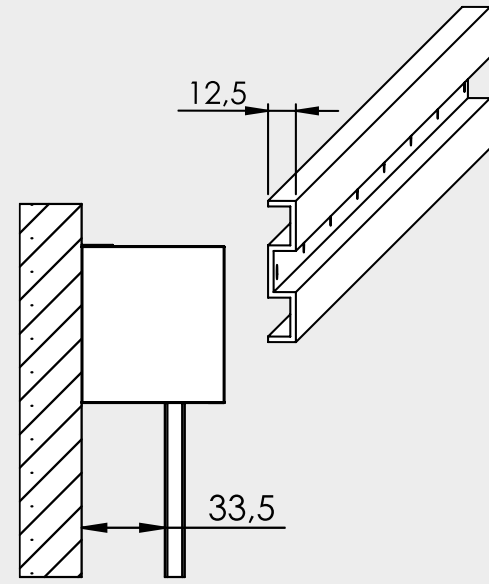
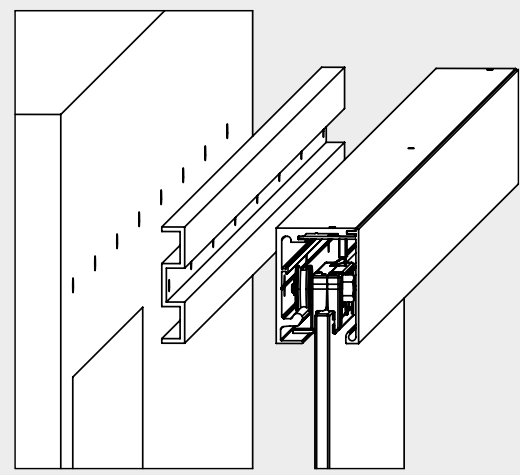
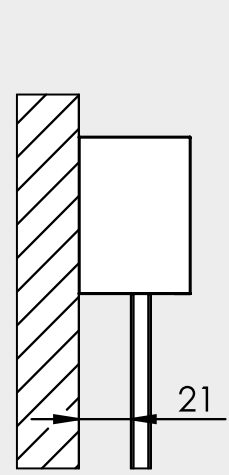
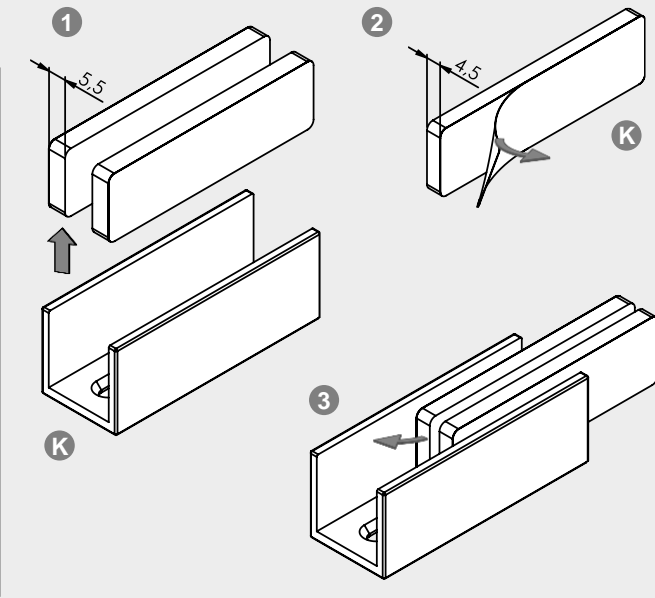
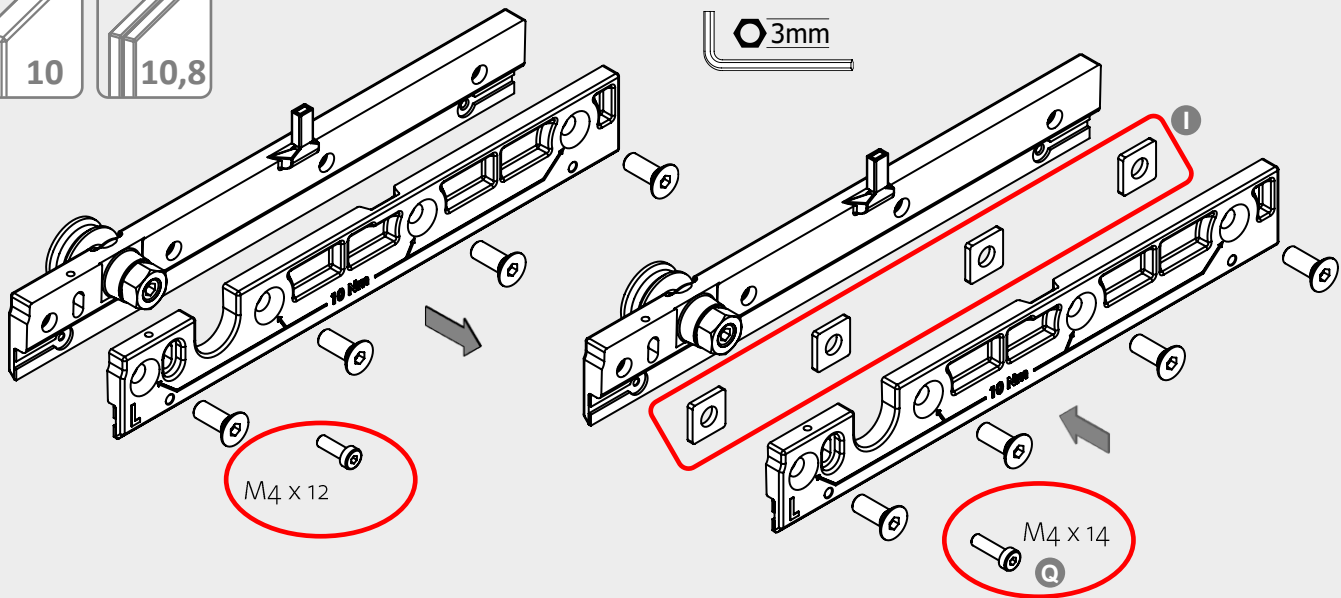
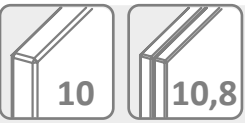
KG  
80



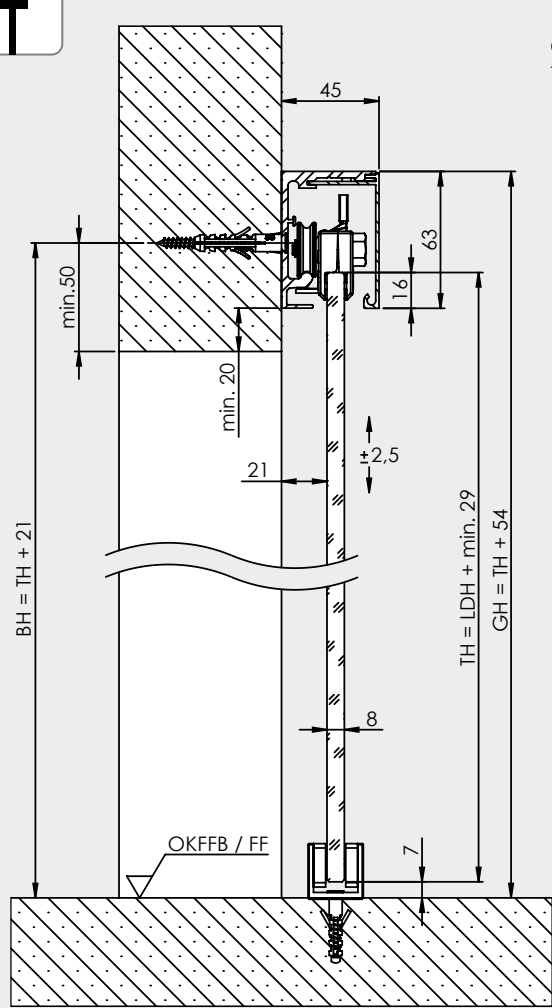
Comfort



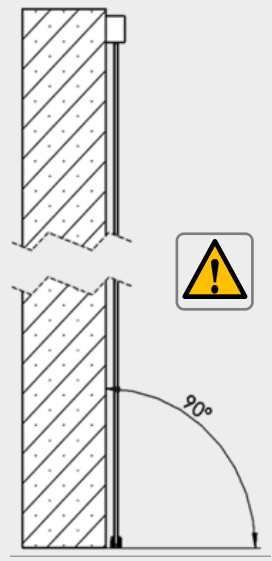
# SCHIEBETÜRSYSTEM X80 GLAS 1-FLG. COMFORT / sliding door system X80 glass 1-leaf comfort



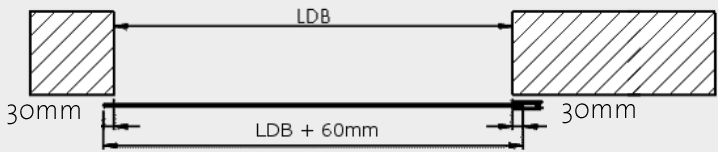
# SCHIEBETÜRSYSTEM X80 GLAS 1-FLG. COMFORT / sliding door system X80 glass 1-leaf comfort



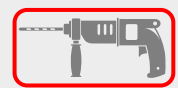
- BH = Bohrhöhe /drilling level
- GH = Gesamthöhe /total height
- TH = Türhöhe /door height
- LDH = Lichte Durchgangshöhe /  
pass line height
- LDB = Lichte Durchgangsbreite /  
pass line width



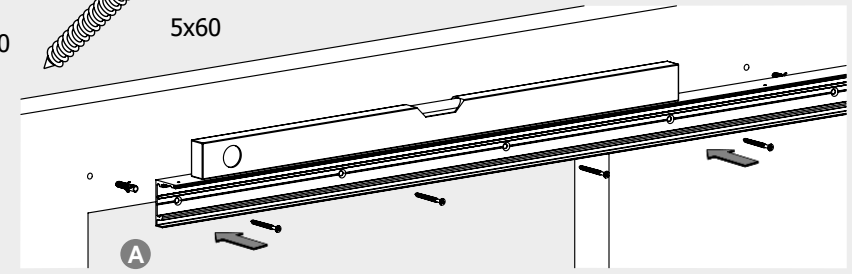
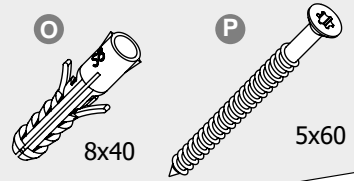
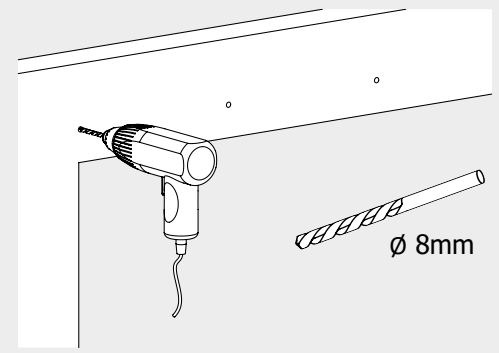
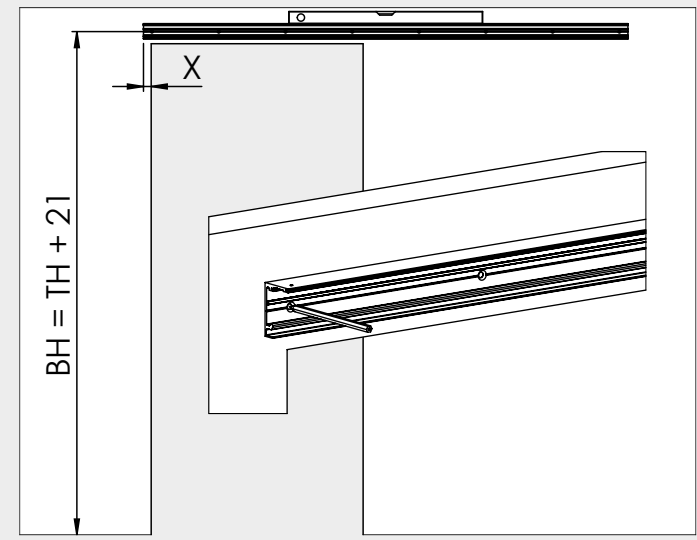
Glasüberstand: 30mm empfohlen  
Glass overlap: 30mm recommended



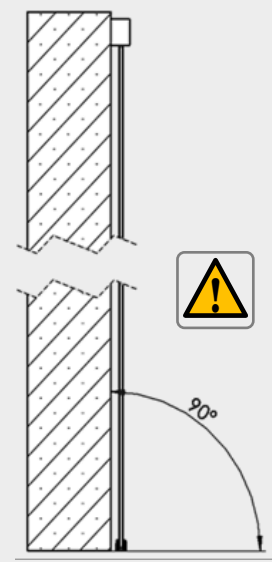
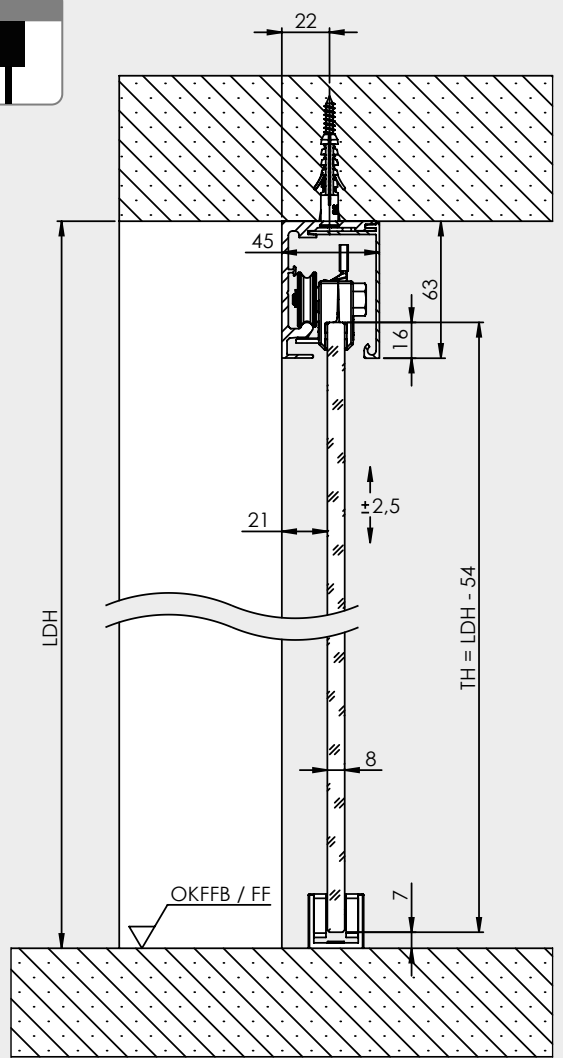
1



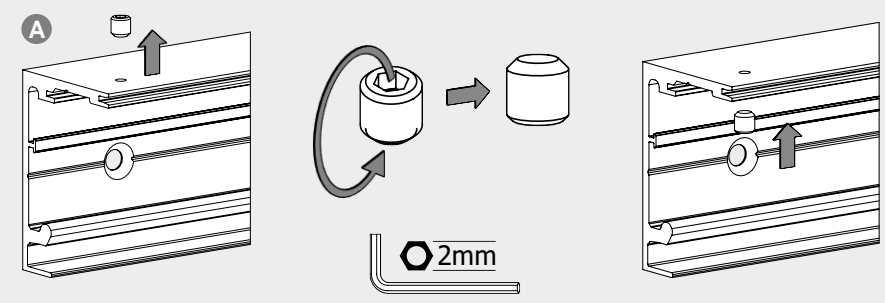
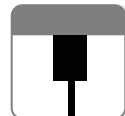
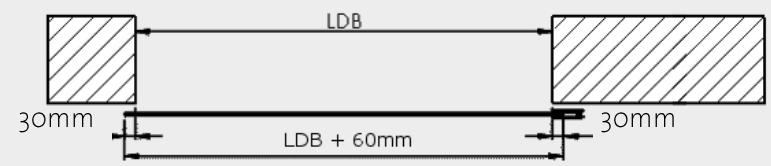
X = 32mm



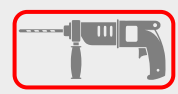
# SCHIEBETÜRSYSTEM X80 GLAS 1-FLG. COMFORT / sliding door system X80 glass 1-leaf comfort



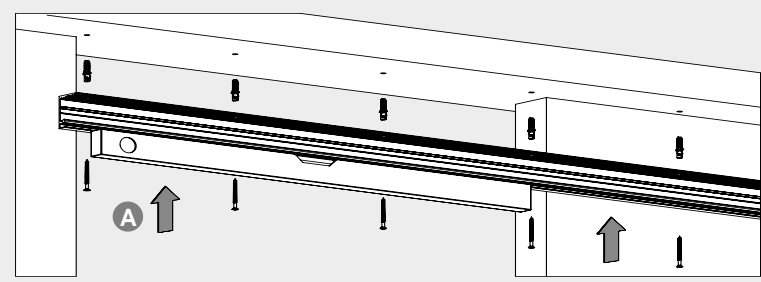
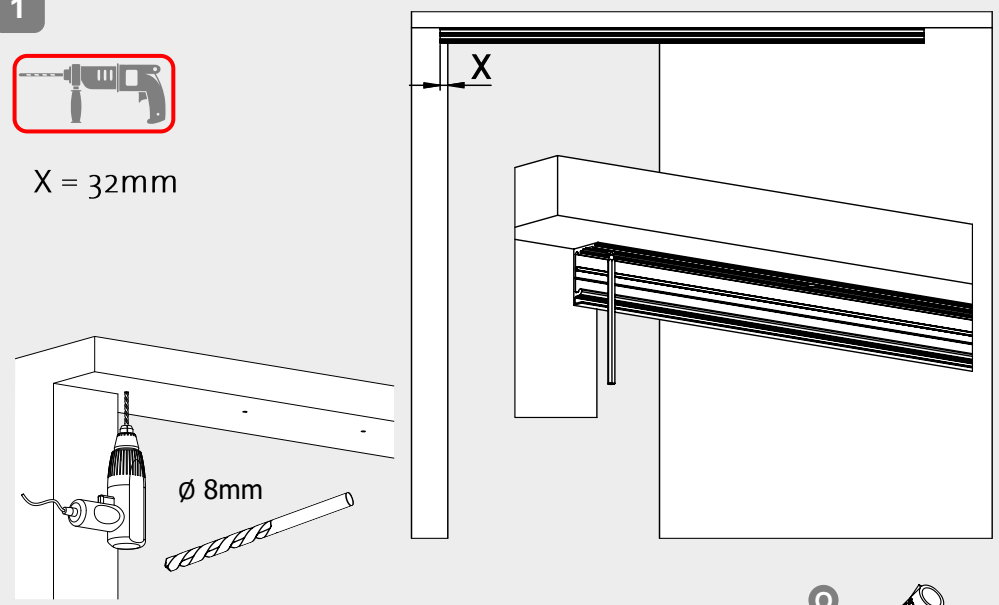
Glasüberstand: 30mm empfohlen  
Glass overlap: 30mm recommended



1

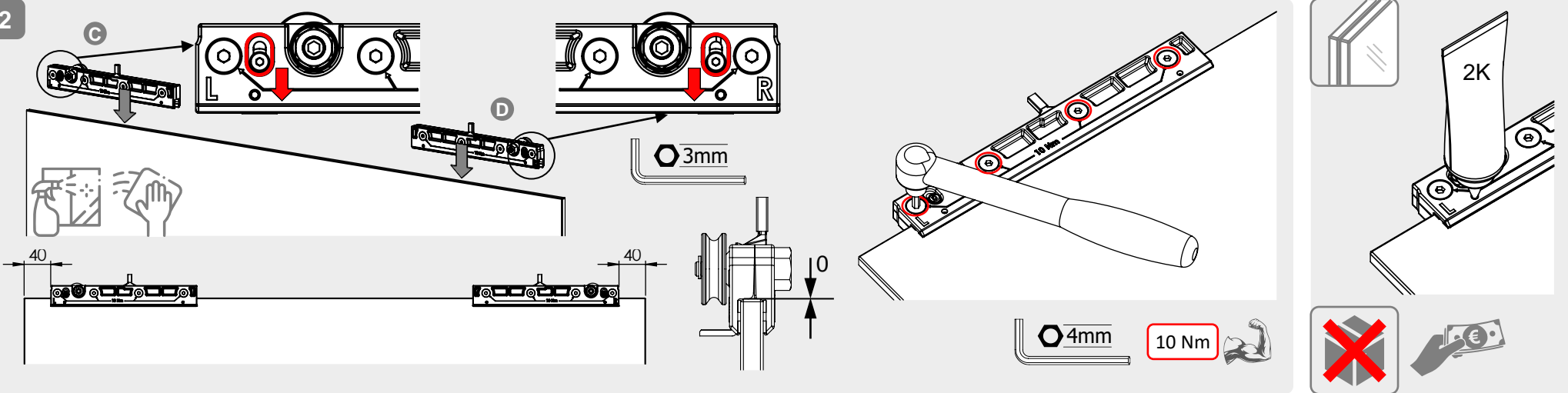


X = 32mm

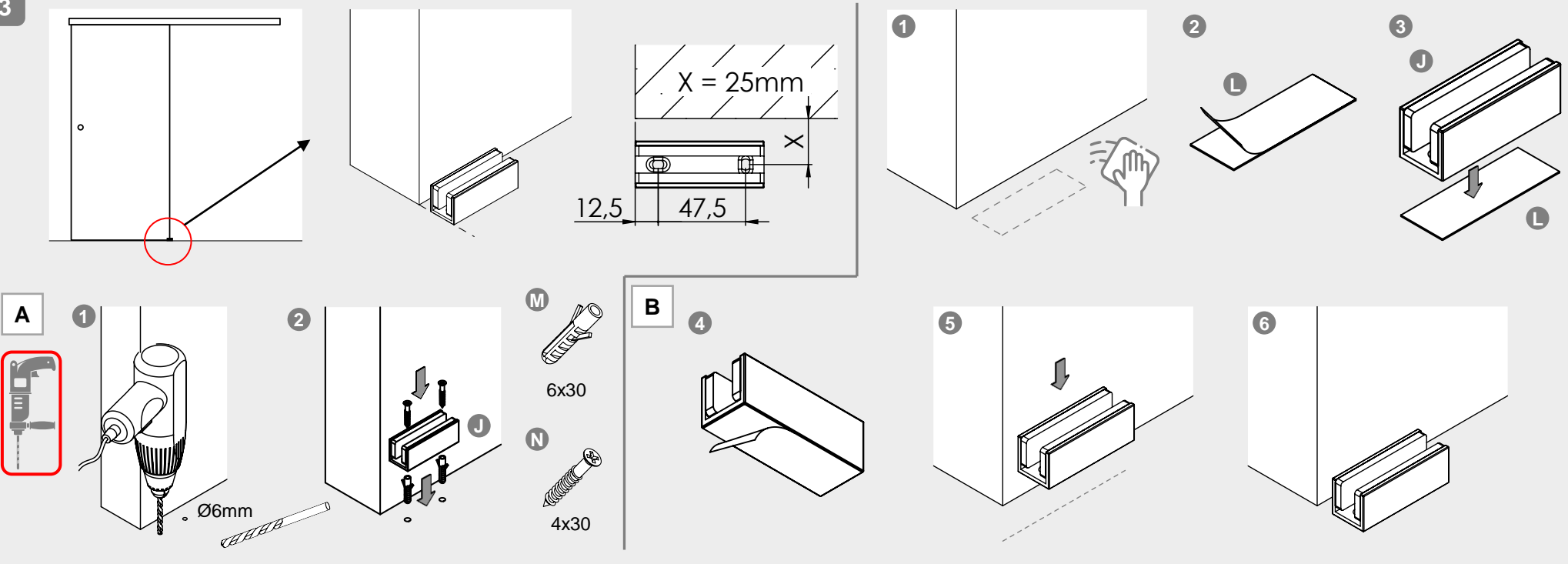


# SCHIEBETÜRSYSTEM X80 GLAS 1-FLG. COMFORT / sliding door system X80 glass 1-leaf comfort

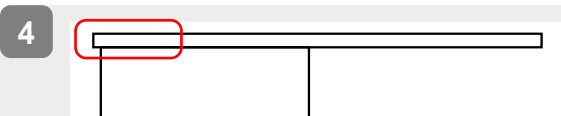
2



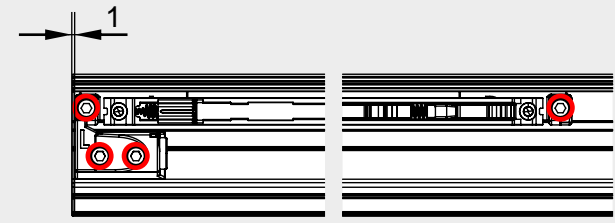
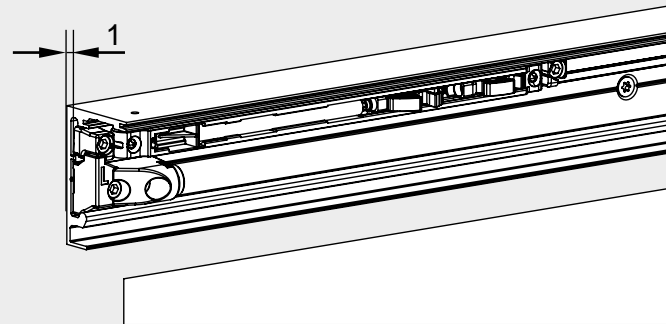
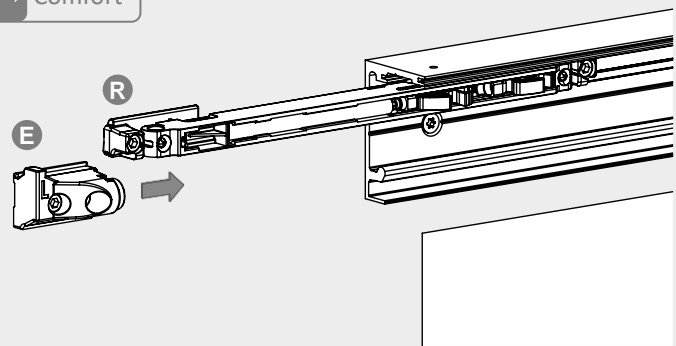
3



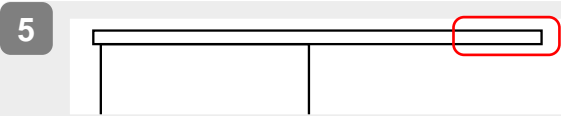
# SCHIEBETÜRSYSTEM X80 GLAS 1-FLG. COMFORT / sliding door system X80 glass 1-leaf comfort



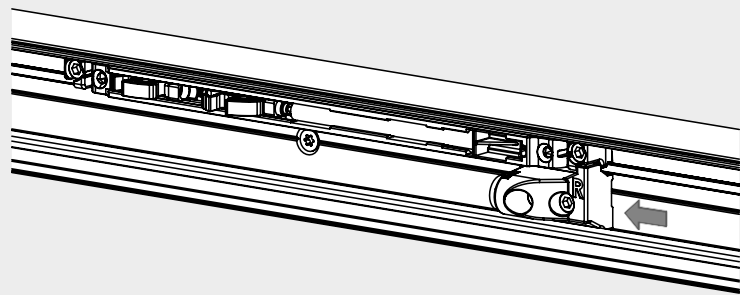
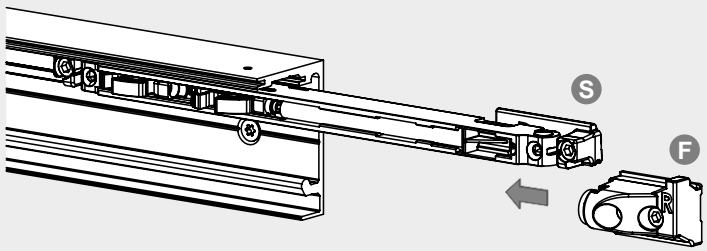
← Comfort →



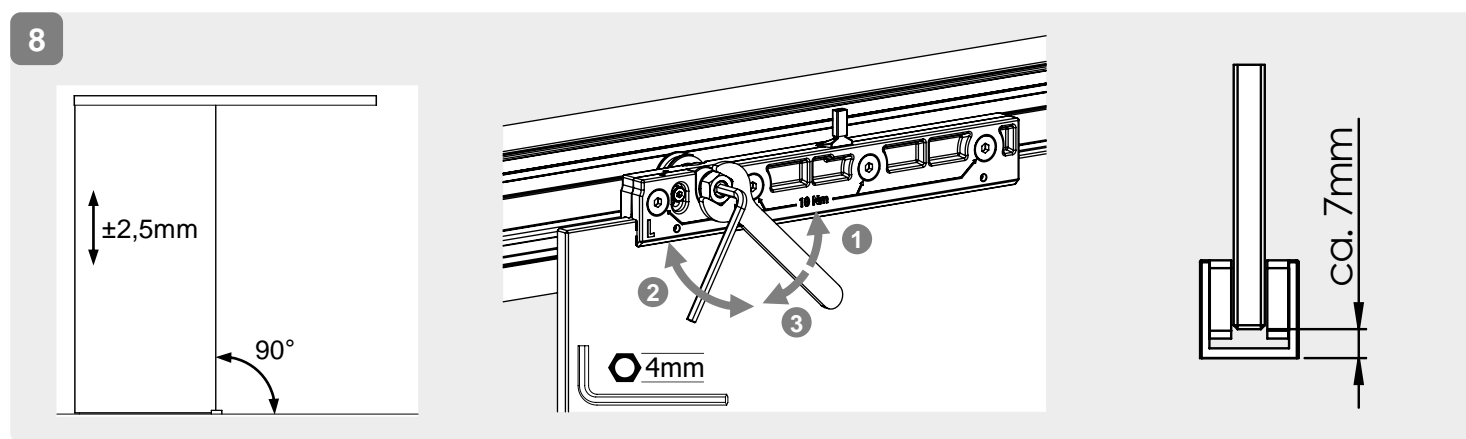
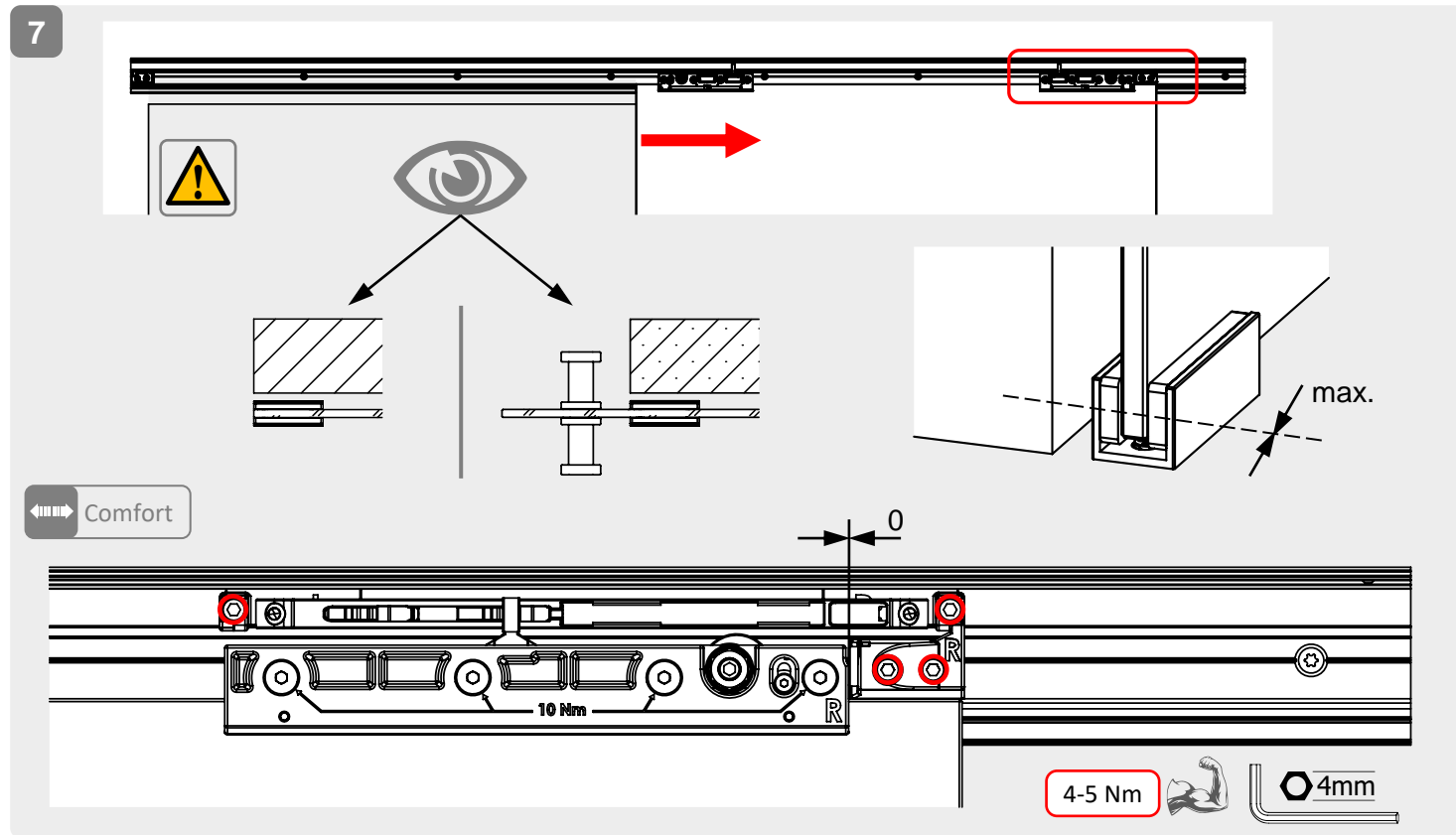
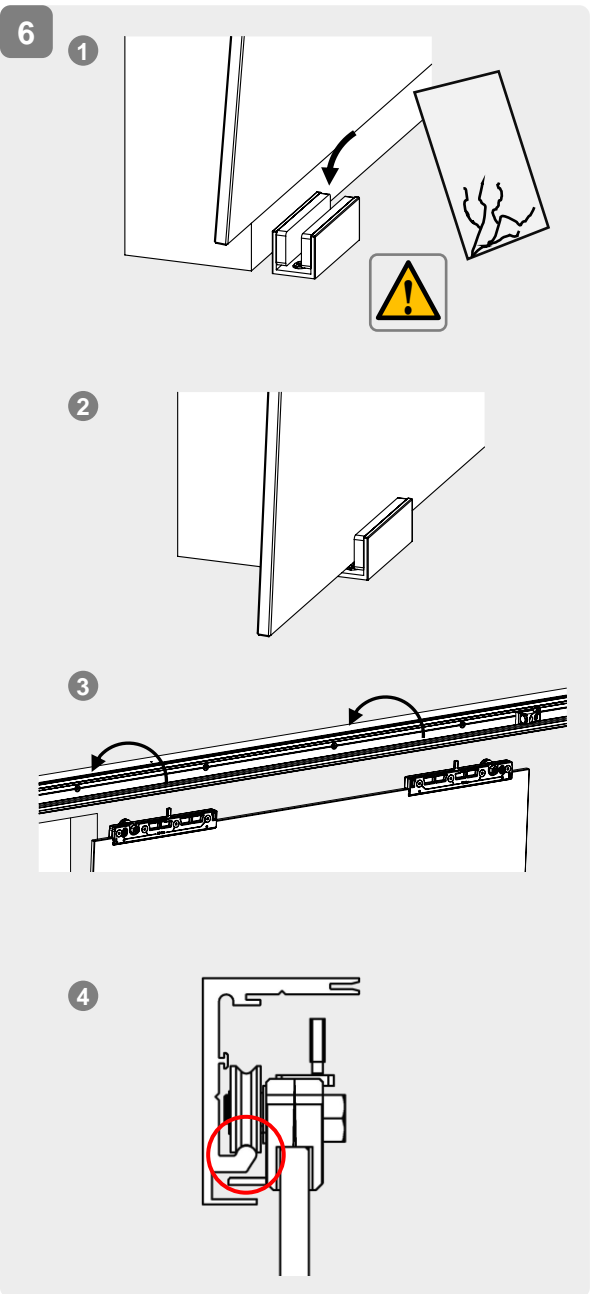
4-5 Nm  



← Comfort →



# SCHIEBETÜRSYSTEM X80 GLAS 1-FLG. COMFORT / sliding door system X80 glass 1-leaf comfort



# SCHIEBETÜRSYSTEM X80 GLAS 1-FLG. COMFORT / sliding door system X80 glass 1-leaf comfort

